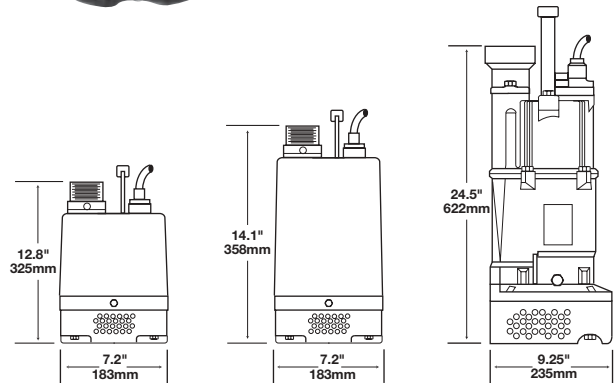


# GSP05/10/20 Sub-Prime® Electric Submersible Pumps

The GSP Sub-Prime line is a selection of portable, electric submersible dewatering pumps available for a wide range of pumping applications on construction, industrial, mining, utility, and municipal job sites. Available in 0.5 hp / 0.4 kW (GSP05), 1 hp / 0.75 kW (GSP10), and 2 hp / 1.5 kW (GSP20) models, the GSP Sub-Prime offers flow rates from 70 through 110 gpm (4.4 through 6.9 l/sec) and maximum heads from 39 to 70 feet (11.9 to 21.3 meters). Compact design allows these versatile units to go where other pumps simply would not fit. An optional piggy back single float switch can be supplied as a cost-effective choice for applications requiring automatic operation.



## Features

- UL listed & approved \*
- Dry running capability without damage
- No control panel required for starting. (Control panel is required for motor protection.)
- Portable, lightweight, durable
- Slim line top discharge design, only 7.2" (183mm) diameter for 0.5 and 1 hp (0.4 and 0.75 kW) models, 9.25" (235mm) diameter for 2 hp (1.5 kW) model
- Non-wicking cable with strain relief
- High-torque, capacitor-start motor
- Motor thermal overload protection
- Outer jacket for continuous cooling of motor
- Silicon Carbide upper and lower mechanical seals
- Triple seals — internal upper & lower mechanical seals and external lip seal
- Torque flow impeller

## Specifications

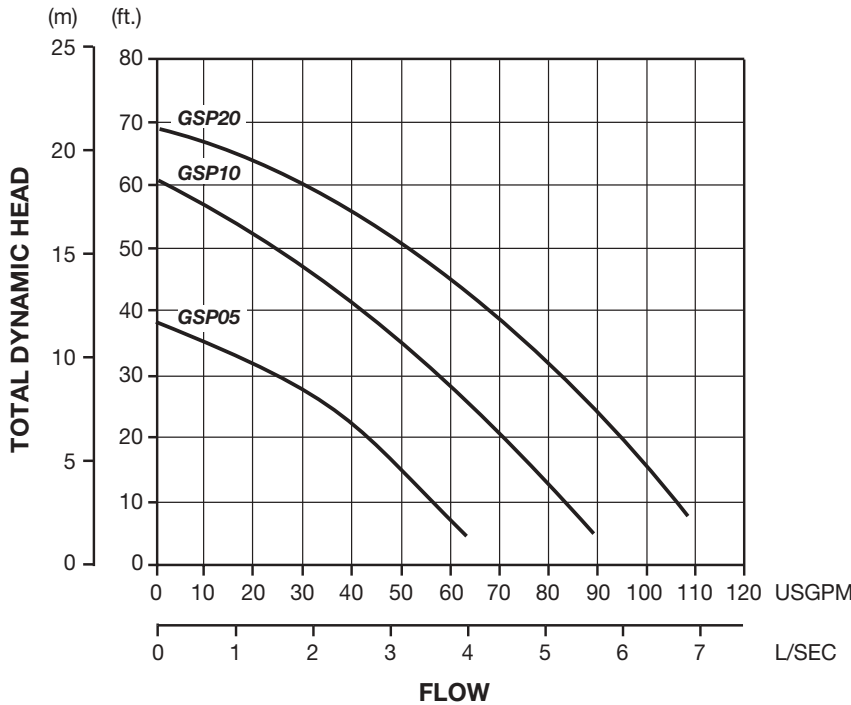
|                  | <b>GSP05</b>          | <b>GSP10</b>          | <b>GSP20†</b>          |
|------------------|-----------------------|-----------------------|------------------------|
| HP/kW            | 0.5 HP/0.4 kW         | 1.0 HP/.75 kW         | 2.0 HP/1.5 kW          |
| Max. Flow        | 70 gpm<br>(4.4 l/sec) | 90 gpm<br>(5.7 l/sec) | 110 gpm<br>(6.9 l/sec) |
| Max. Head        | 39' (11.9M)           | 60' (18.3M)           | 70' (21.3M)            |
| Max. Solids      | 1/3" (9mm)            | 1/3" (9mm)            | 1/3" (9mm)             |
| Cable Length     | 30' (9M)              | 50' (15M)             | 50' (15M)              |
| Discharge Size   | 2" (50mm)             | 2" (50mm)             | 3" (75mm)              |
| RPM              | 3600                  | 3600                  | 3600                   |
| Max. Fluid Temp. | 90° F (32° C)         | 90° F (32° C)         | 104° F (40° C)         |
| PH Range         | 6.5-8.0               | 6.5-8.0               | 6.5-8.0                |
| Voltage          | 115, 230              | 115, 230              | 115/230                |
| Amps             | 5.8, 3.2              | 10.3, 5.11            | 25.9/13.0              |
| Phase            | Single                | Single                | Single                 |
| Height           | 12.8" (325mm)         | 14.1" (358mm)         | 24.5" (622mm)          |
| Width            | 7.2" (183mm)          | 7.2" (183mm)          | 9.25" (235mm)          |
| Weight           | 20 lbs. (9 kg.)       | 29 lbs. (13 kg.)      | 61 lbs. (28 kg.)       |
| Max. Sub.        | 16.5' (5M)            | 16.5' (5M)            | 16.5' (5M)             |

godwin  
pumps



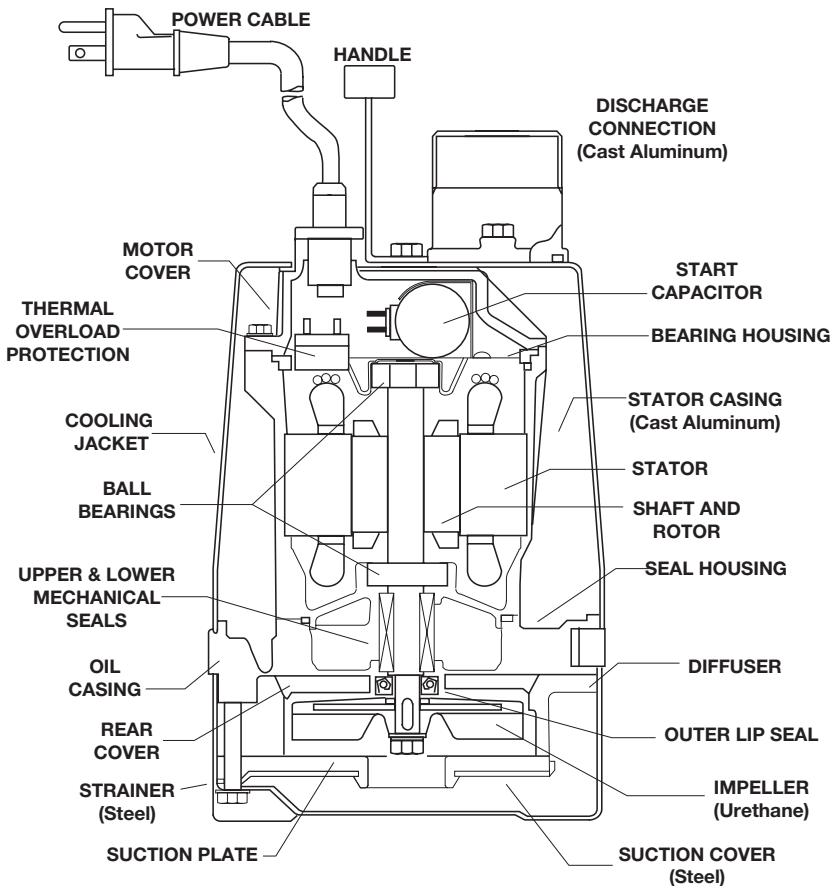
\* n.a. for GSP20  
†GSP20 CSA certification pending.

# GSP Sub-Prime® Performance Curves



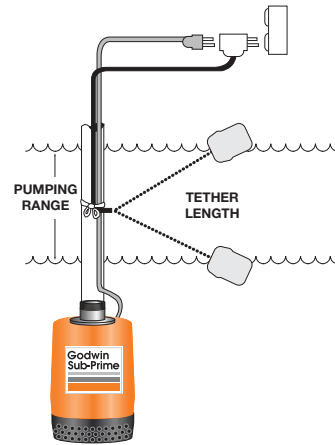
**WARNING:** Pumps are not designed for use in explosive atmosphere, flammable environments or for pumping volatile liquids.

## Design & Construction



## Float Switch

Optional Float Switches available for automatic, remote activation of Sub-Prime pumps. Package consists of 30'/50' (9M/15M) power cord with piggy-back power plug, variable length float tether, and sealed float. Typical configuration shown in the following.



Pumping range determined by tether length according to the following guide.

| Tether Length | 3.5 | 5   | 7   | 9   | 11  | 13   | 15   | (in.) |
|---------------|-----|-----|-----|-----|-----|------|------|-------|
|               | 89  | 127 | 178 | 229 | 279 | 330  | 381  | (mm)  |
| Pumping Range | 6.5 | 7.5 | 8.5 | 10  | 11  | 12.5 | 13.5 | (in.) |
|               | 165 | 191 | 216 | 254 | 279 | 318  | 343  | (mm)  |

Pumping range based on operation in non-turbulent conditions. Actual range may vary due to temperature conditions and cord shape. Tether length increases variance of pumping range.



†GSP20 CSA certification pending.

godwin  
pumps



[www.TradeToolSupply.com](http://www.TradeToolSupply.com)  
503.221.8665

Sub-Prime® and the color orange for pumps are registered trademarks of Godwin Pumps of America, Inc. Specifications and illustrations are subject to revision without notice. © Copyright 2002-2006 Godwin Pumps of America, Inc.