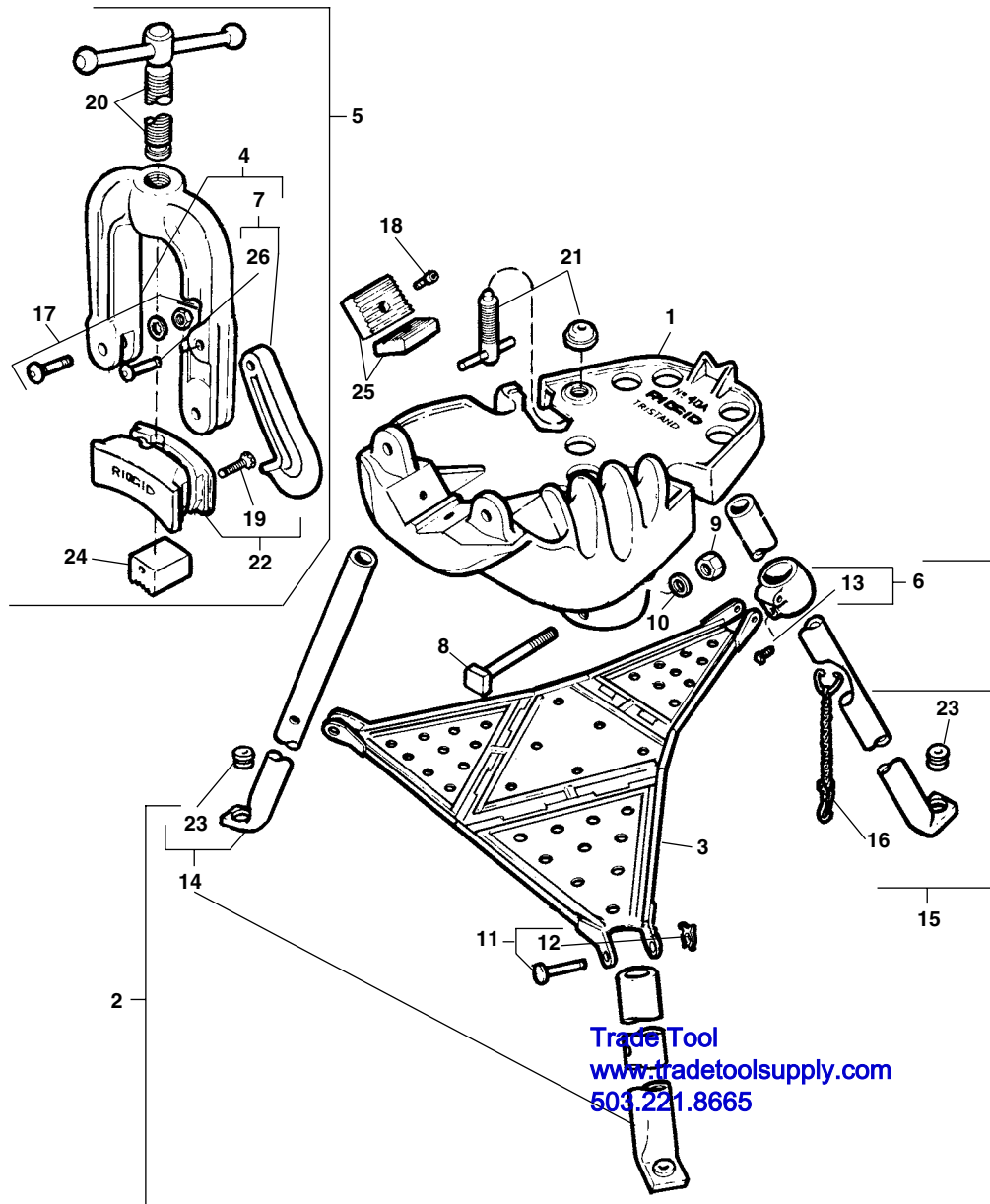


Trade Tool
www.tradetoolsupply.com
 503.221.8665

**NOTE: Order parts by Catalog Number only.
 DO NOT order by Reference Number.**

Ref. No.	Catalog No.	Description	Ref. No.	Catalog No.	Description
—	16703	425 Tristand	18	19053	Base
1	19063	Hex Bolt, 3/8" - 16 x 3 1/2"	19	40990	Roll
2	59970	Flat Washer, 3/8"	20	41035	Roll Pin
3	19118	Latch	21	40770	Lock Washer, 3/8" (2)
4	19113	Torsion Spring	22	76735	Spring Pin
5	19108	Latch Bushing	23	32457	Screw w/Washer (2)
6	19103	Adjuster Shoe Assembly	24	19083	Pivot Pin (6)
7	83545	Jam Nut, 3/8" - 16"	25	19088	Link (6)
8	41005	Chain Assembly	26	41270	X-Washer (6)
9	41040	Chain Screw Pin	27	18228	Hand Grip
10	41065	Chain Screw	28	19093	Center Ring w/Handle
11	41020	Jaw	29	19098	Center Tube
12	41025	Friction Ring	30	19533	Ridgid Label
13	41060	Swivel Nut w/Friction Ring	31	40940	Grommet (3)
14	41015	Handle	32	19068	Rear Leg Assembly
15	41050	Handle Assembly	33	19078	Right Leg Assembly
16	79985	Lock Nut, 3/8" - 16 (4)	34	19073	Left leg Assembly
17	58052	Hex Bolt, 3/8" - 16 x 2 1/2" (3)			

Capacity: 1/8", through 2 1/2"



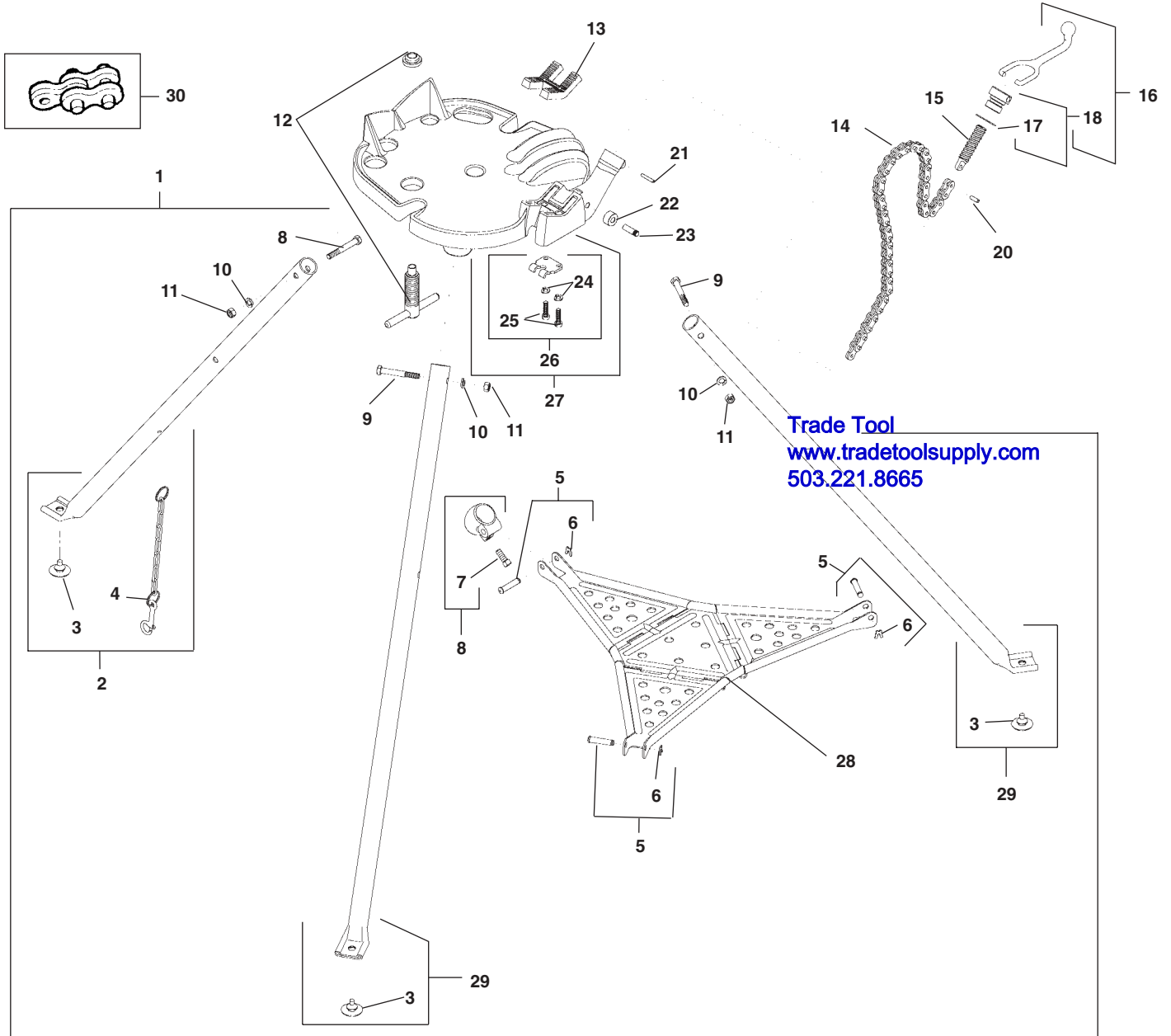
Trade Tool
www.tradetoolsupply.com
 503.221.8665

**NOTE: Order parts by Catalog Number only.
 DO NOT order by Reference Number.**

Ref. No.	Catalog No.	Description	Ref. No.	Catalog No.	Description
1	40895	Base	14	41255	Front Leg Assembly (2)
2	40915	Legs & Tray Assembly	15	41250	Rear Leg Assembly
3	41240	Tool Tray	16	40945	Leg Chain
4	40900	Yoke & Hook Assembly	17	40905	Hinge Bolt, Nut & Washer
5	40920	Yoke Assembly	18	40910	Lower Jaw Screw (2)
6	41235	Tray Support with Screw	19	40385	Jaw Clamp Screw with Washer (2)
7	40380	Hook Assembly	20	40390	Feed Screw
8	46675	Leg Bolt	21	41230	Jack Screw Assembly
9	44225	Nut (3)	22	40395	Jaw Clamp Set
10	40930	Lock Washer (3)	23	40940	Grommet (3)
11	41265	Tray Pin & Washer (3)	24	40400	Upper Jaw
12	41270	"X" Washer (3)	25	40405	Lower Jaw (1 Set)
13	41245	Set Screw	26	40415	Hinge Pin



Capacity: 1/8", through 6"



**NOTE: Order parts by Catalog Number only.
DO NOT order by Reference Number.**

Ref. No.	Catalog No.	Description	Ref. No.	Catalog No.	Description	Ref. No.	Catalog No.	Description
—	72037	460 Tristand	11	44225	Nut 3/8" - 16 (3)	21	31650	Nut Locking Pin
—	72042	460E Tristand Export	12	72102	Jack Screw Assembly	22	40990	Roll
1	40915	Leg & Tray Assembly	13	41020	Jaw	23	41035	Roll Pin
2	41250	Rear Leg Assembly		41280	Jaw for Plastic Pipe	24	60080	Washer, 5/16"
3	40940	Grommet (3)		40222	Jaw for Plastic Coated Pipe	25	95397	Screw, 5/16" - 18 x 2"
4	40945	Leg Chain	14	72092	Chain Assembly	26	93537	Wear Plate
5	41265	Tray Pin with "X" Washer (3)	15	41065	Chain Screw	27	72097	Base with Wear Plate and Screws
6	41270	"X" Washer (3)	16	41015	Handle	28	41240	Tool Tray
7	41235	Tray Support with Screw	17	41025	Friction Ring	29	41255	Front Leg Assembly (2)
8	41245	Set Screw	18	41060	Swivel Nut w/Friction Ring	30	68625	Chain Extension Link
9	46675	Hex Bolt 3/8" - 16 x 2 3/4" (3)	19	41050	Handle Assembly			
10	40930	Lock Washer 3/8" (3)	20	41040	Chain Screw Pin			