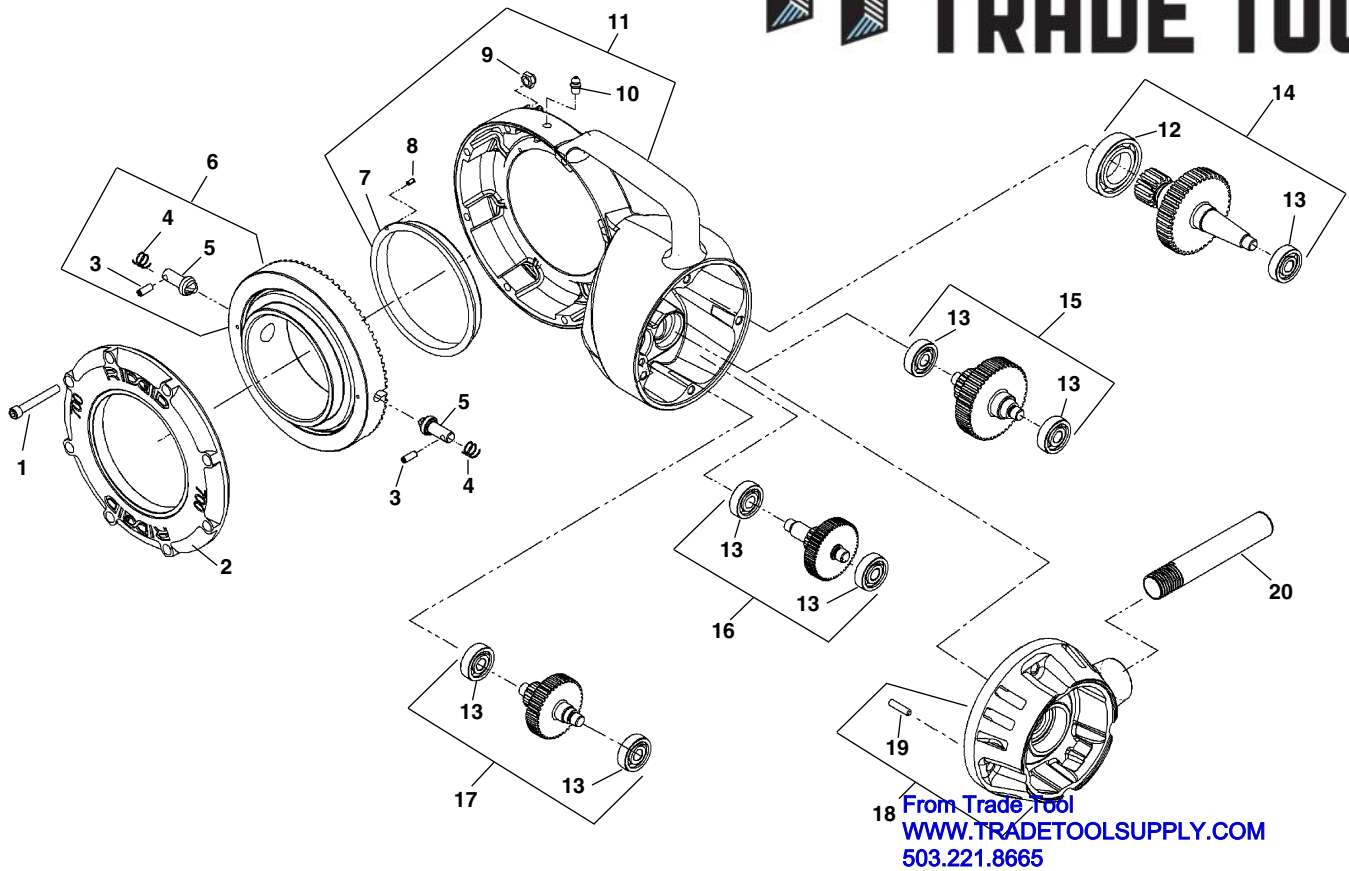


Gearhead Components



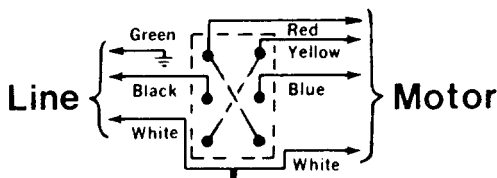
From Trade Tool
WWW.TRADETOOLSUPPLY.COM
 503.221.8665

NOTE: Order parts by Catalog Number only. DO NOT order by Reference Number.

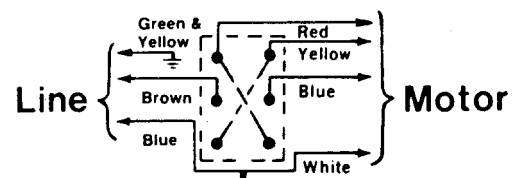
| Ref. No. | Catalog No. | Description | Ref. No. | Catalog No. | Description |
|----------|-------------|--|----------|-------------|----------------------|
| 1 | 46775 | Screw (8) | 12 | 45315 | Bearing |
| 2 | 43345 | Cover | 13 | 45060 | Bearing (7) |
| 3 | 32475 | Spring Pin (2) | 14 | 44900 | 4th Gear Assembly |
| 4 | 44915 | Spring (2) | 15 | 44830 | 3rd Gear Assembly |
| 5 | 44910 | Adapter Pawl (2) | 16 | 44820 | 1st Gear Assembly |
| 6 | 43395 | Face Gear Assembly | 17 | 44825 | 2nd Gear Assembly |
| 7 | 44060 | Bearing | 18 | 45165 | Dowel Pin |
| 8 | 89085 | Roll Pin 1/8" x 1/4" | 19 | 43335 | Fan Housing Assembly |
| 9 | 83890 | Lock Nut (8) | 20 | 46615 | Torque Arm |
| 10 | 46860 | Grease Fitting | | | |
| 11 | 42970 | Gear Case Assembly (Includes Ref. No. 1) | | | |

Wiring Diagram (115/230V)

Standard Color Code

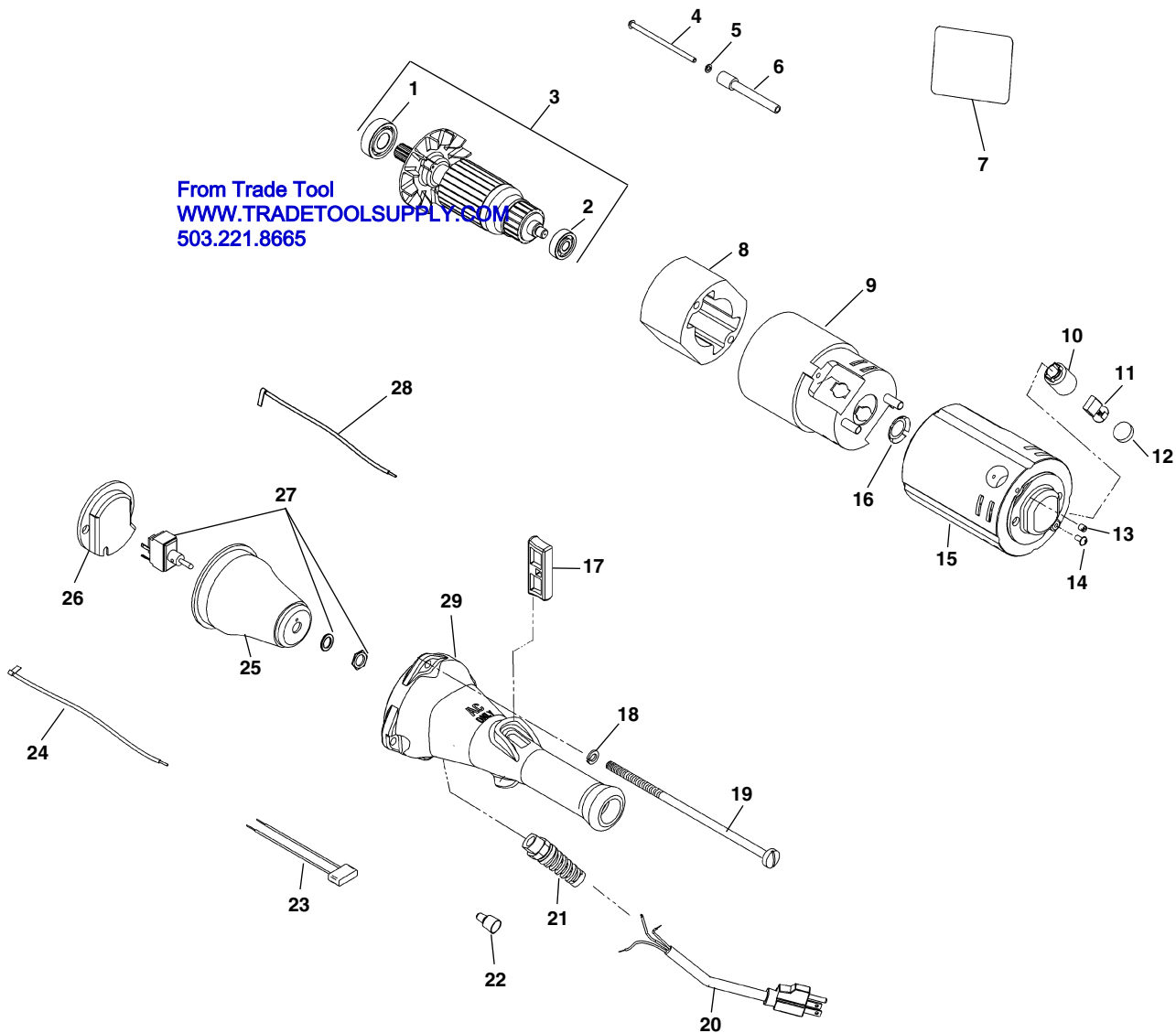


European Color Code





Electrical Components – Type 2



From Trade Tool
WWW.TRADETOOLSUPPLY.COM
 503.221.8665

**NOTE: Order parts by Catalog Number only.
 DO NOT order by Reference Number.**

| Ref. No. | Catalog No. | Description | Ref. No. | Catalog No. | Description |
|----------|-------------|---|----------|-------------|-------------------------|
| 1 | 44565 | Bearing | 16 | 44790 | Load Spring |
| 2 | 44760 | Bearing | 17 | 97260 | Switch Button |
| 3 | 44055 | Armature Assembly 115V | 18 | 40770 | Lock Washer (4) |
| | 44075 | Armature Assembly 230V | 19 | 44785 | Tie Bolt (4) |
| 4 | 18486 | Field Mounting Screw (2) | 20 | 89155 | Power Cord 115V |
| 5 | 45175 | Lock Washer (2) | | 44055 | Power Cord 230V |
| 6 | 18566 | Field Screw Sleeve (2) | 21 | 29788 | Cord Retainer |
| 7 | 27418 | Warning Decal | 22 | 44635 | Wire Nut |
| 8 | 27408 | Field 115V Type 2 | 23 | 18406 | Suppressor |
| | 27413 | Field 230V Type 2 | 24 | 44880 | Brush Lead - Blue |
| 9 | 18506 | Field Insulator Sleeve | 25 | 43390 | Switch Insulator |
| 10 | 44795 | Brush Holder (2) | 26 | 18506 | Motor Housing Insulator |
| 11 | 44815 | Brush Assembly (2) | 27 | 44905 | Switch |
| 12 | 45660 | Brush Cap (2) | 28 | 44885 | Brush Lead - White |
| 13 | 39770 | Set Screw (2) | 29 | 27398 | Handle Type 2 |
| 14 | 45420 | Ground Screw | | | |
| 15 | 18676 | Motor Housing Assy. (Includes Ref. No. 11,12,13) | | | |